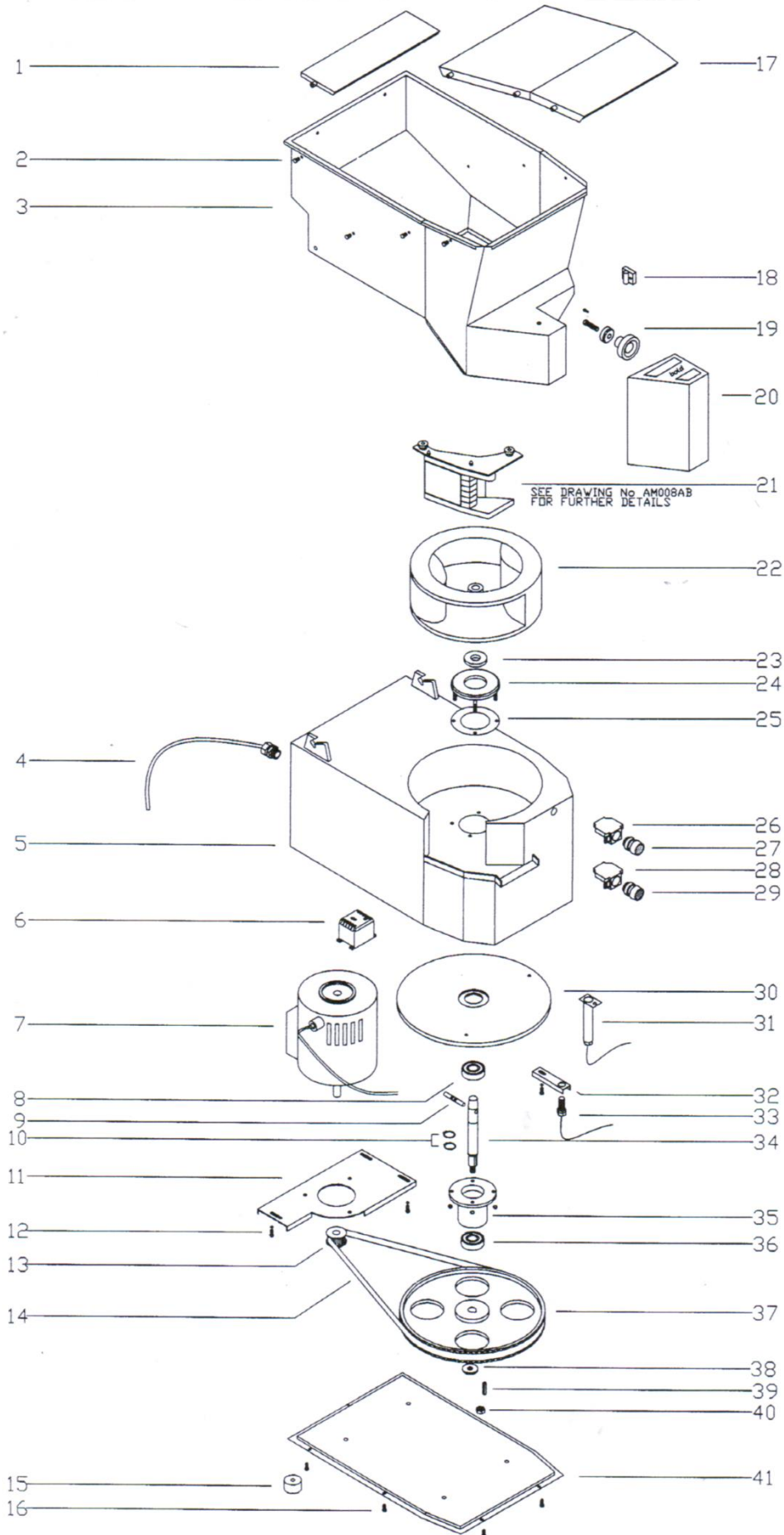


S1 PARTS LIST



S1 PARTS PRICE LIST -EFFECTIVE FROM 1ST AUGUST 2012-

To be read in conjunction with drawing AM-008A / AM-008AB

no/	Part no	Description	cost	no/	Part no	Description	cost
1	S143	Hopper safety guard (small)	18.00	27	S123	Start button	12.00
2	S160	Safety guard screws x10	5.00	28	S121	Contact block	14.20
3	S138	Hopper	190.00	29	S122	Stop button	12.00
4	S115	Cable with gland	6.50	30	S166	Aluminium plate	30.00
5	S100	Main case	320.00	31	S167	proximity switch with holder	18.50
6	S112	Contactora	32.00	33	S148	Proximity switch bracket	7.00
7	S103	Motor	152.00	34	S113	Proximity switch	12.50
8	S108	Bearing	14.00	35	S104	Shaft	35.20
9	S111	Cross pin	2.00	36	S105	Bearing housing	37.50
10	S141	Cir clips	1.00	37	S108	Bearing	14.00
11	S129	Motor support plate	19.80	38	S119	Large pulley	122.00
12	S161	Motor plate s/s bolts x3	1.50	39	S151	Washer	1.00
13	S120	Motor pulley	32.50	40	S153	Key	1.50
14	R131	Belt	13.20	41	S152	Nylock nut	1.50
15	S162	Non slip feet x4	30.00	42	S127	Base cover	30.00
16	S154	s/s Base Screws x 7	2.50	44	S135	Thumb screw x 2	6.95
17	S144	Hopper safety guard (large)	30.00	45	S125	S/S knife block holder inc thumbscrews	32.00
18	S163	Magnet holder (inc magnet)	15.00	46	S136	Domed nut x 2	1.00
19	S132	Hopper knob	32.00	47	S116	S/S knife block pins x 2	4.18
20	S164	s/s Extension chute	30.00	48	S118	Slice knife	13.00
21	S139	Knife Block (various sizes)	155.00	49	S117	Chip blade	6.00
22	S130	Rotor	165.00	50	S134	Slice knife holder (bottom) inc magnet	24.00
23	S110	Oil seal	10.00	51	S137	Pozi screws x 2	1.00
24	S109	Oil seal housing	40.00	52	S107	Spacers (various sizes) *	2.96
25	S165	Oil seal housing Gasket	2.00	53	S124	Slice knife holder (top)	13.00
26	S121	Contact block	14.20	54	S126	S/S knife block (various sizes) *	39.40

* To change chip size please contact Bold catering or your distributor for further information

